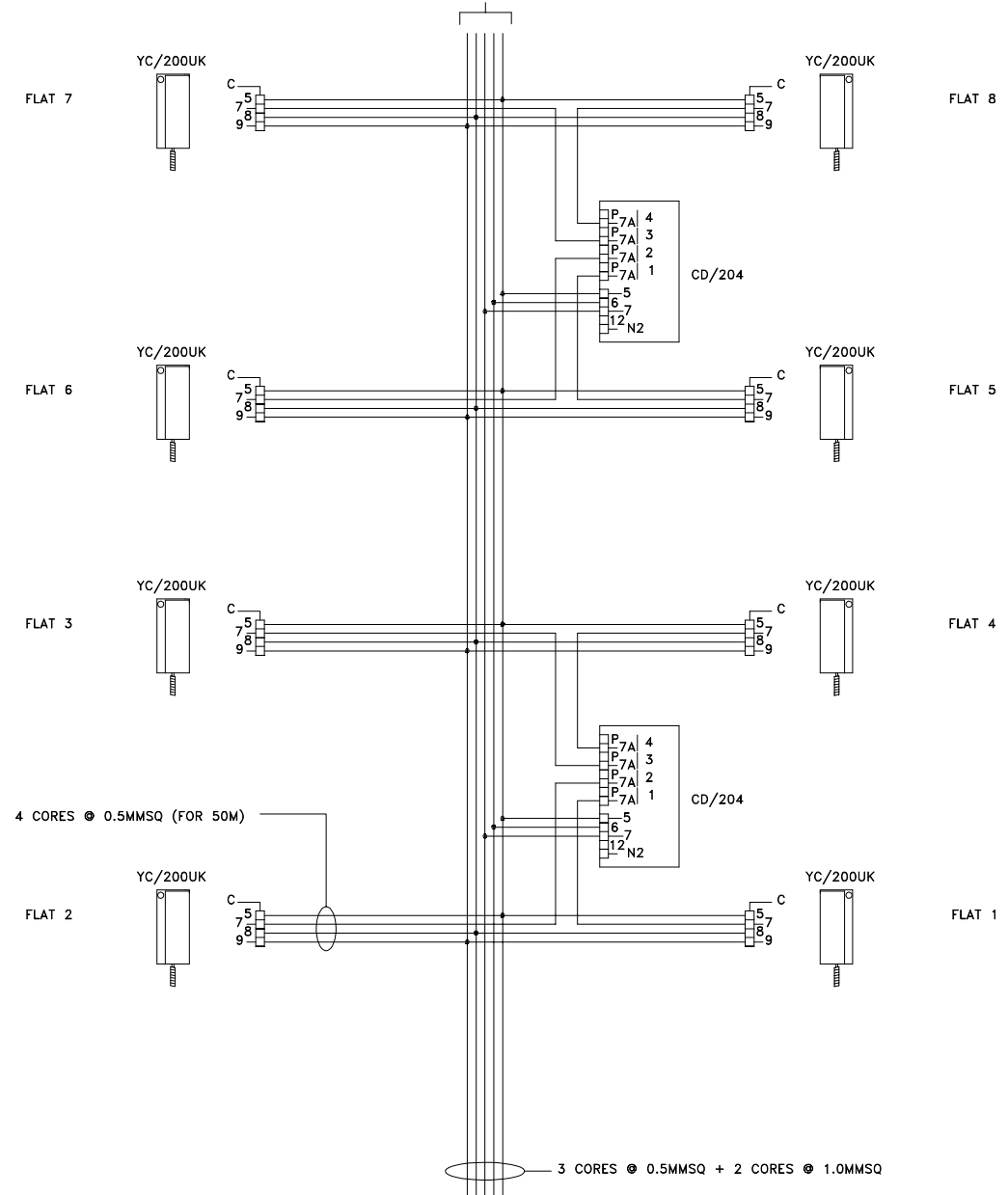


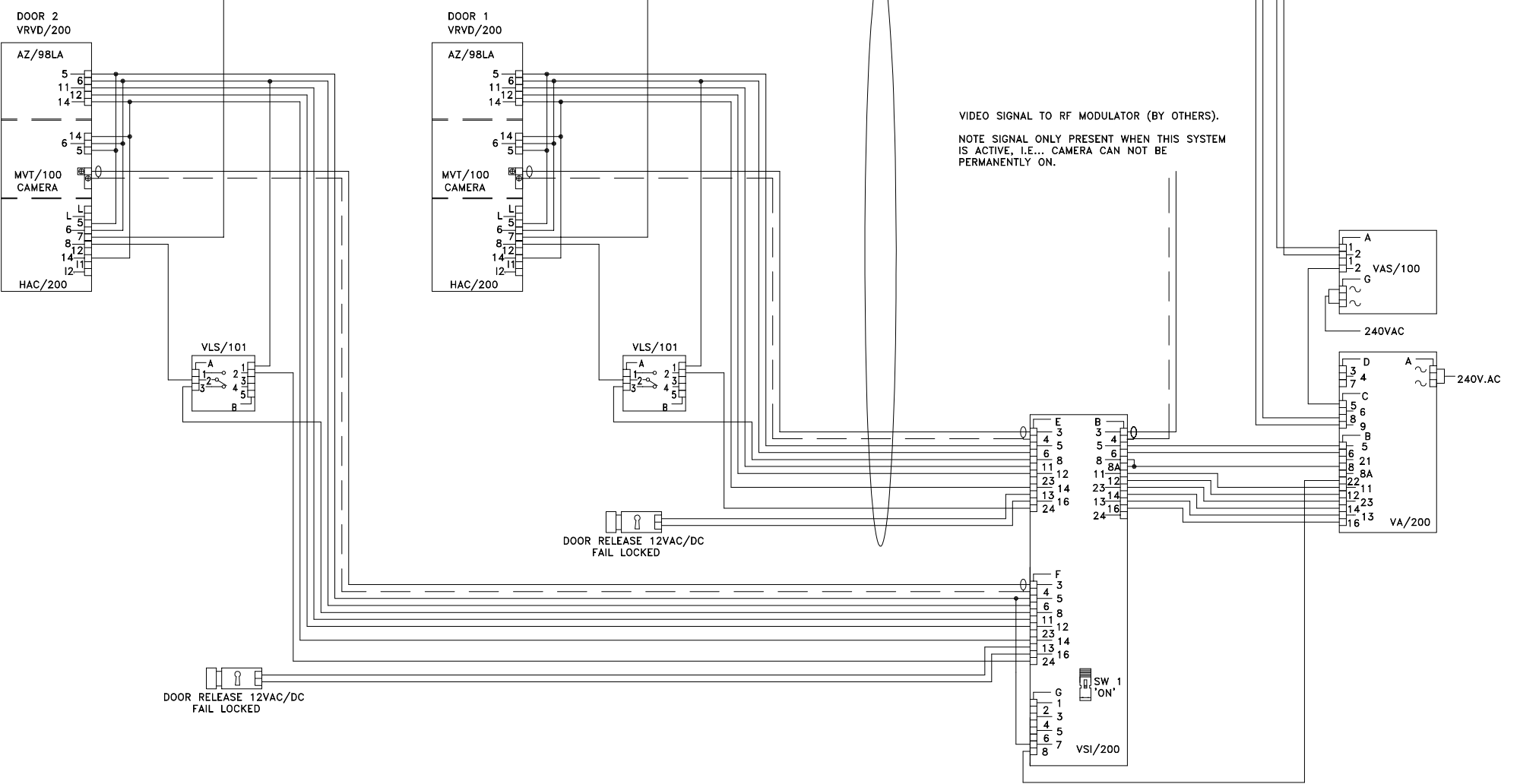
TO FURTHER PHONES
AND CD204 AS REQ.



NOTE:
THIS DRAWING INDICATES AND ASSUMES THE USE OF
A MINIMUM OF 0.5MMSQ CSA PARALLEL CONDUCTORS.
INCORRECT CABLE SPEC CAN CAUSE DIGITAL
SIGNALING PROBLEMS.

NOTE: CABLE EQUIVALENTS

VCM/130 = RG59 COAX + 4 CORES @ 1.0MMSQ + 8 CORES @ 0.5MMSQ



BPT (UK) LTD. HERTS. ENGLAND	PREPARED FOR INSTALLER INFORMATION	DATE: 30/07/07	DRAWN:RC
		REVISED:	
DRAWING TITLE:	MULTI-FLAT INSTALLATION USING 2 VR DIGITAL VIDEO ENTRY PANELS & AUDIO HANDSETS	DRAWING No: B-XV2YNL(AUD)	